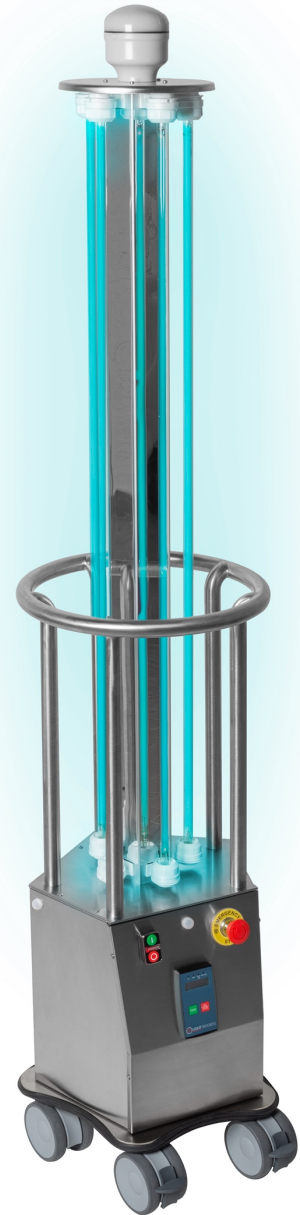


High-Quality Wide Area Mobile UV-C Disinfection

Key Features:

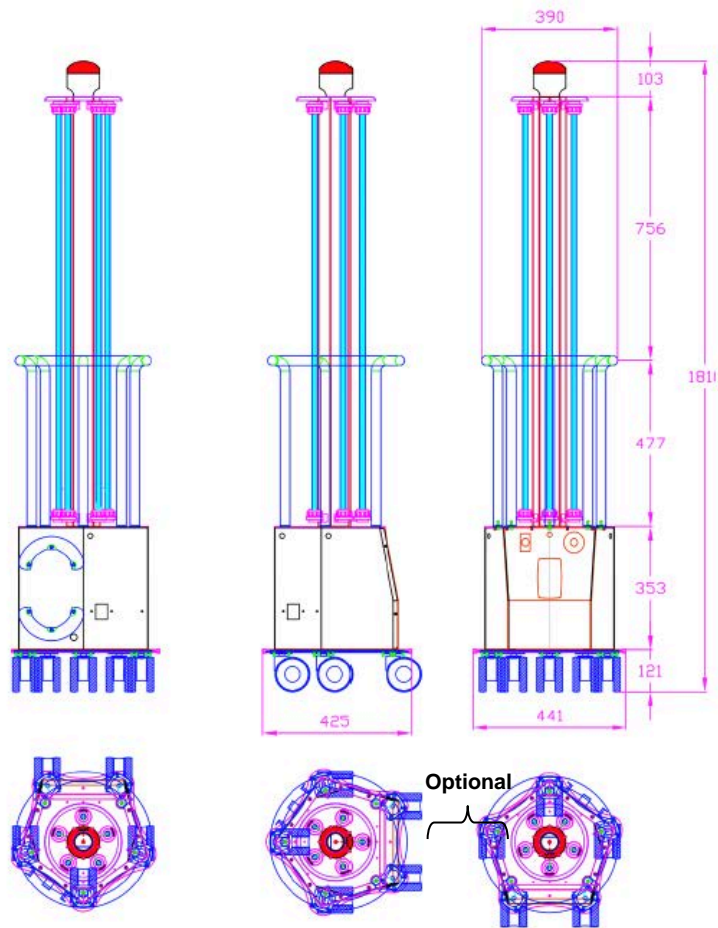
- Mobile disinfection 5 lamps with 360° irradiation
- Delayed start and cycle timer for safe and effective use
- Selective UV-C lamp (at 253.7 nm.) with high efficiency lighting
- Stainless steel body AISI 304
- All materials used are tested for resistance to intense UV-C rays
- Waterproof and dust-proof (IP 55)
- Powered with electronic ballasts specific for UV-C ray lamps
- Reflector made of extremely pure mirror bright aluminum
- Direct protection of the lamps with a stainless steel grid
- CE mark (LVD - EMC - MD - RoHS)
- Complies with the noise standards of Directive 2006/42/EC
- Values measured according to UNI EN ISO 3746
- Non-detectable and non-transmissible vibration values
- Suitable for class 1 installations - protected areas



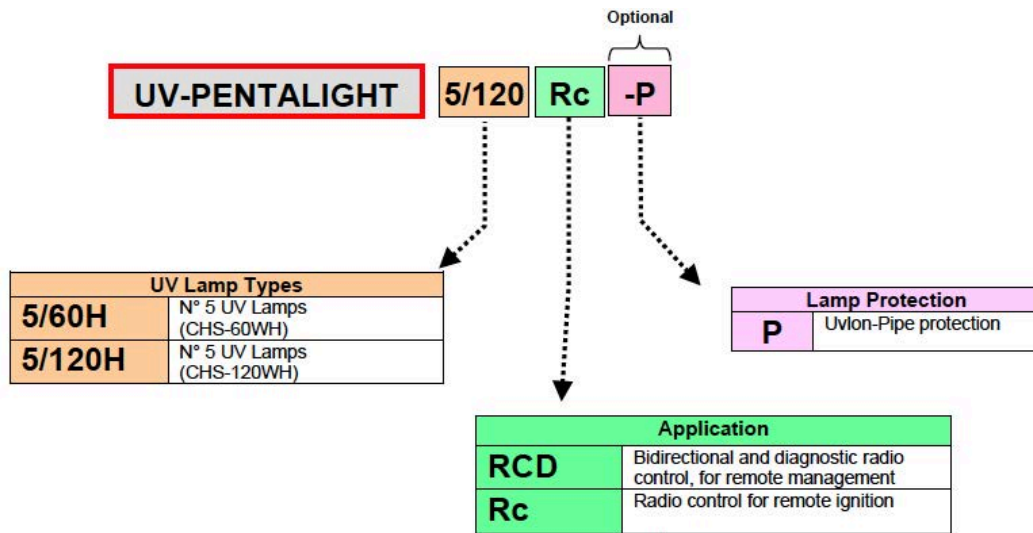
Specifications:

UV-STICK			E5-120H
Average Lamp Life			≤18,000
Power Consumption (W)			600
Dimensions L x W x H (inches)			15.5 x 16.1 x 71.9
Weight (lbs)			6.6

Technical Drawings



Codes



When no people are present, place the the device centrally between target surfaces and use the remote control to activate the external lamps.